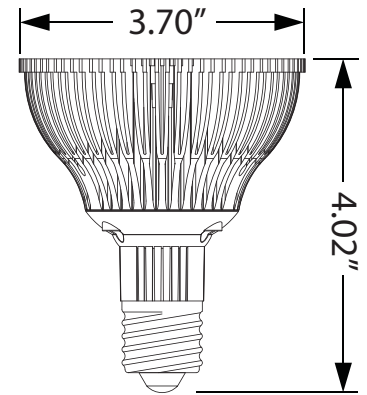


Great Eagle Lighting Corporation exclusively provides LED products. We engineer products to last longer, shine brighter, and run safer, all while saving energy. The future of lighting is here. The light has come.



5 FIVE YEAR WARRANTY



FEATURES

- Lasts more than 20 times longer and uses up to 80% less energy than halogens
- No mercury or lead. RoHS compliant
- Direct replacement for 75 watt halogens
- Available in 15/30/45/60 degree beam angles
- Available in 3000K warm white and 4100K cool white
- Dimmable - works with traditional dimmer switches
- Commonly used for track lighting and recessed lighting
- Instant on full brightness, no warm up needed



Part Number	Input Voltage	Lamp Shape	Base	Power	CCT	Beam Angle	Lumens	Life	CRI	Equivalent	Dimmable
P30ED1230x	120VAC	PAR30	E26	12W	3000K	15°/30°/45°/60°	550	50,000	>80	75w	Yes
P30ED1241x	120VAC	PAR30	E26	12W	4100K	15°/30°/45°/60°	610	50,000	>80	75w	Yes

Notes:

Part Number: x represents optional beam angles

Equivalent: Based on laboratory measurements on usable light on target area

Five (5) year warranty - Please visit www.greateagle.com/warranty for full details